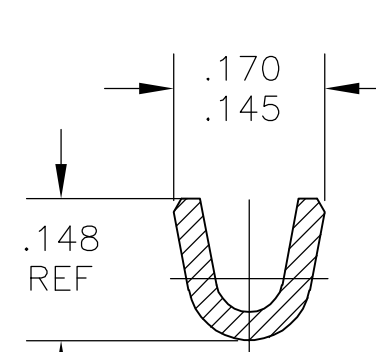
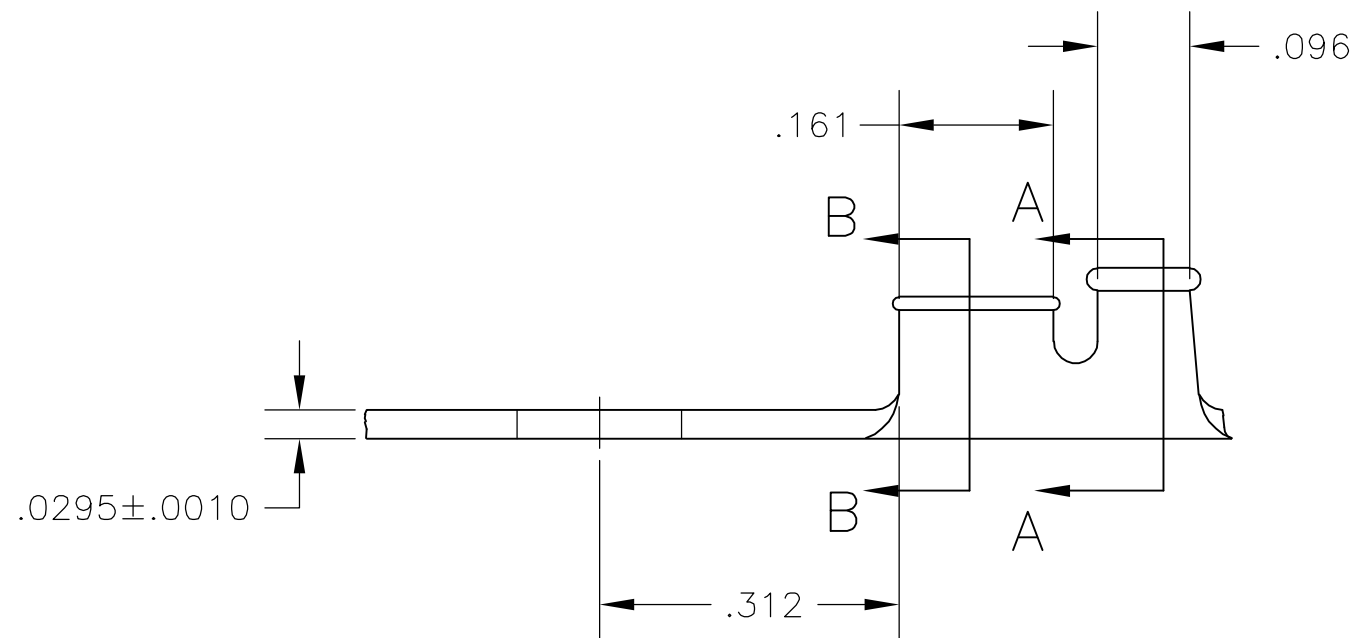
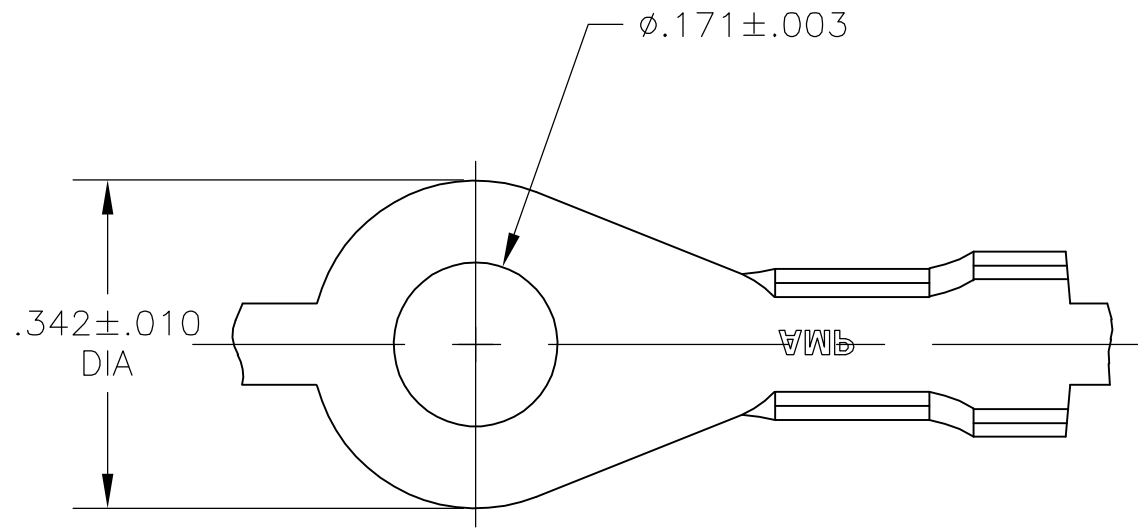


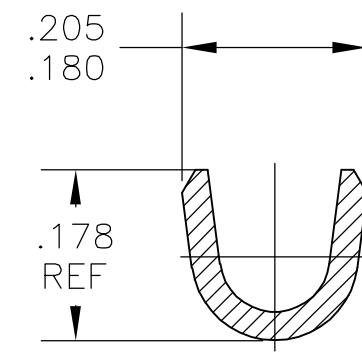
THIS DRAWING IS UNPUBLISHED. RELEASED FOR PUBLICATION
 © COPYRIGHT - BY TYCO ELECTRONICS CORPORATION. ALL RIGHTS RESERVED.

LOC	DIST	REVISIONS					
		P	LTR	DESCRIPTION	DATE	DWN	APVD
AF	50		A	DRAWN	-	-	-

- 1 CONTINUOUS STRIP ON REELS
- 2 WIRE SIZE IS #20-#16 AWG
- 3 INSULATION RANGE IS .100-.140 DIA



SECTION B-B



SECTION A-A

41456
 PART NO

THIS DRAWING IS A CONTROLLED DOCUMENT.		DWN jr_ruth	10MAR06	Tyco Electronics Corporation Harrisburg, PA 17105-3608			
DIMENSIONS: INCHES		CHK D DECKER	10MAR06				
TOLERANCES UNLESS OTHERWISE SPECIFIED:		APVD D DECKER	10MAR06	NAME TERMINAL, RING			
0 PLC ± - 1 PLC ± - 2 PLC ± - 3 PLC ± .010 4 PLC ± - ANGLES ± 5°		PRODUCT SPEC		RESTRICTED TO			
MATERIAL T1 BRASS		FINISH .000080 MIN TIN		SIZE A3	CAGE CODE 00779	DRAWING NO C-41456	RESTRICTED TO -
CUSTOMER DRAWING				SCALE 5:1	SHEET 1 OF 1	REV A	